



CERTIFIED SOLAR SYSTEM

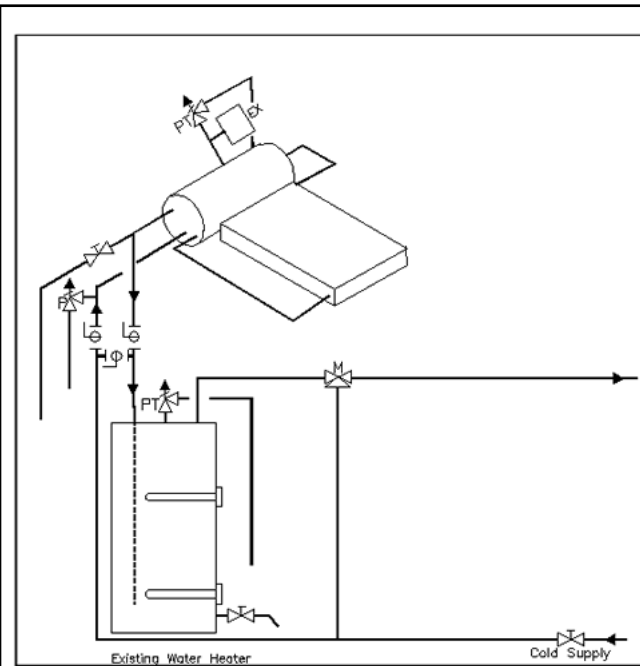
SUPPLIER:
Papaemmanouel S.A.
 1st Km. Inofyta-St. Thomas
 Industrial Zone of Inofyta
 Inofyta-Viotia, VIOTIA 32011 Greece
 www.papaemmanouel.gr

BRAND: SOLAR FLAME
MODEL: 150ABL200
SYSTEM TYPE: Thermosiphon, Indirect
CERTIFICATION #: 30003671
Original Certification: November 21, 2013
Expiration Date: November 21, 2018

The solar system listed below has been evaluated by the Solar Rating & Certification Corporation™ (SRCC™), an ANSI accredited and EPA recognized Certification Body, in accordance with SRCC OG-300, Operating Guidelines for Certifying Solar Water Heating Systems, and has been certified by the SRCC. This award of certification is subject to all terms and conditions of the Program Agreement and the documents incorporated therein by reference. This document must be reproduced in its entirety.

Description: Glazed Flat Plate, -7 °C 19 °F, Non-GRAS, None, Fluid, Other

Single-day Rating		SINGLE DAY RATING CONDITIONS	SI Units	Inch-Pound Units
Solar Energy Factor (SEF _D)	Solar Fraction (SF _D)	System Set Temperature	57.2 °C	135 °F
1.2	0.22	Environmental Temperature	19.7 °C	67.5 °F
Single-day Rating Conditions: SEF _D = Solar Energy Factor (info link) SF _D = Solar Fraction (info link)		Ambient Temperature Profile Average	14.4 °C	58 °F
		Water Mains Temperature	14.4 °C	58 °F
		Delivered Load	43.3 MJ/day	41,045 Btu/day
		Solar Irradiance	4,733 Wh/m ² -day	1,500 Btu/ft ² -day



Storage Tank(s)			
Solar Tank Vol (l)	Solar Tank Vol (gal)	Aux Tank Vol (l)	Aux Tank Vol (gal)
150	40	229	60
Note: The auxiliary tank can have a volume between 132 and 246 liters (35 and 65 gallons).			
Approximate Collector Area: 2.0 m ² , 21.6 ft ²			

The solar water system listed here has been certified by the SRCC as meeting the minimum standards for testing, installation, operation, maintenance, performance, reliability and safety as specified in SRCC Document OG-300. Thermal performance ratings are based on the successful durability and performance testing of a sample collector, where said tests have been conducted by an independent laboratory approved and listed by the SRCC. The system has been modeled using the computer simulation program TRNSYS to calculate the ratings.

Before the Supplier can make any change in design, materials, specifications, parts, or construction, the change(s) must be reported to the SRCC for evaluation of continued certification.

REMARKS:

Jim Higgins
 Technical Director





CERTIFIED SOLAR SYSTEM

SUPPLIER:
Papaemmanouel S.A.
1st Km. Inofyta-St. Thomas
Industrial Zone of Inofyta
Inofyta-Viotia, VIOTIA 32011 Greece
www.papaemmanouel.gr

BRAND: SOLAR FLAME
MODEL: 150ABL200
SYSTEM TYPE: Thermosiphon, Indirect
CERTIFICATION #: 30003671
Original Certification: November 21, 2013
Expiration Date: November 21, 2018

The solar system listed below has been evaluated by the Solar Rating & Certification Corporation™ (SRCC™), an ANSI accredited and EPA recognized Certification Body, in accordance with SRCC OG-300, Operating Guidelines for Certifying Solar Water Heating Systems, and has been certified by the SRCC. This award of certification is subject to all terms and conditions of the Program Agreement and the documents incorporated therein by reference. This document must be reproduced in its entirety.

Only the following options for the collector array are approved:

Option	Collector Panel Manufacturer	Collector Panel Request Number	Collector Panel Model Number	Collector Panel Name	Quantity	Total Panel area(m ²)	Total Panel area(ft ²)
1	Papaemmanouel S.A.	2011090C	ASL0580.S86R S-2.0m ²	Solar Flame	1	2.00	21.57

